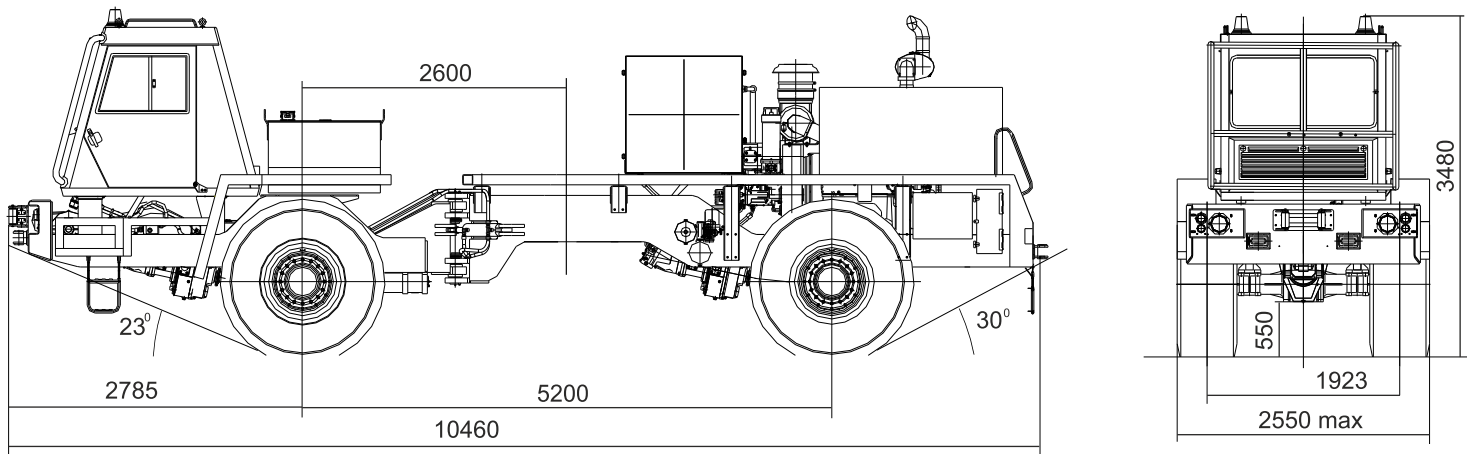


# VOLAT



ARTICULATED CHASSIS  
MZKT-600300

VEHICLES OVERCOMING ALL OBSTACLES



## SPECIFICATIONS

### PERFORMANCE DATA

Wheel drive	4x4
Max. speed, km/h	40
Turning radius, m	11
Fuel tank capacity, l	1 000
Gradeability, %	58

### WEIGHT DATA

Curb chassis weight, kg	21 850
Gross vehicle weight, kg	32 000
Permissible weight on axles, kg	
1st and 2nd	2x16 000
Weight of mounted equipment, kg	10 000

### ENGINE

Model	Caterpillar C13 ACERT
Number and location of cylinders	L6
Max. power	328 kW (440 h.p.) at 2 100 min <sup>-1</sup>
Max. torque	2 011 Nm at 1 400 min <sup>-1</sup>
Engine heater	Webasto DBW300

### TRANSMISSION

Hydrostatic reversible with reduction gear of pumps and drives for each driving axle from hydraulic motor through two manual gearboxes and driveshafts

### DRIVING AXLES

Rigid, with central reduction gears and wheel hubs, interaxle self-locking differentials. Hard attached to front and rear half-axles

### STEERING SYSTEM

Hydrostatic drive for turning the front half-frame around the vertical axis relative to the rear half-frame

### BRAKE SYSTEM

Drum brakes of shoe-type with air-hydraulic drive  
Dual-circuit system

### TYRES

23.5-25 (Bel 155), offroad  
Number of wheels - 4+1

### FRAME

Longitudinal of special design  
Consists of two half-frames coupled with articulation device  
With technological well in the rear half-frame (for installation of the vibration source)  
Equipped with front and rear towing units

### CAB

2-seat full-metal  
Equipped with ventilation and climatic systems  
Integrated roll-over protection system (R.O.P.S.)  
Front protection unit  
Onboard informational-control unit  
Flashing beacons

### ELECTRICAL EQUIPMENT

Nominal voltage 24 V  
Single-wire  
Batteries 2x190 Ah  
Heated battery storage

### WINCH

Single-speed, with hydraulic drive  
Max. towing force 126 kN