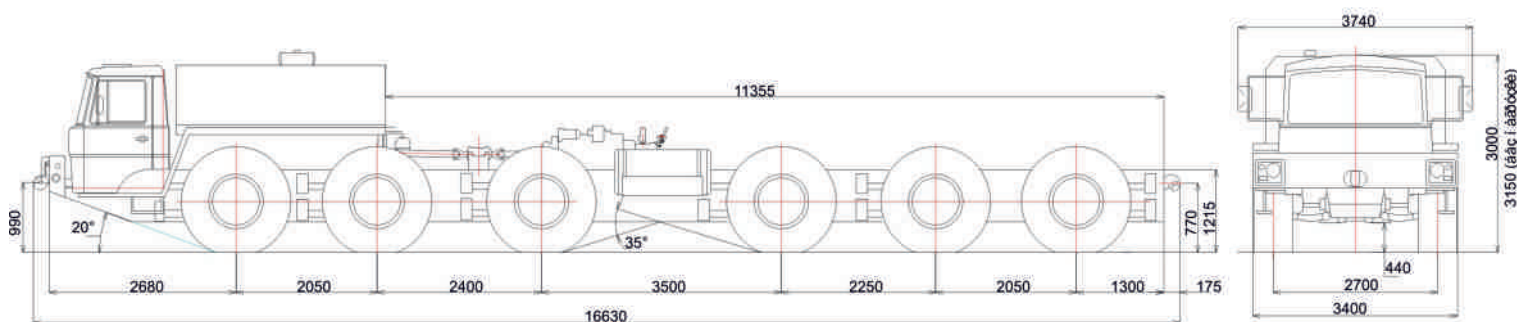


VOLAT



TRUCK CHASSIS
MZKT-791910

VEHICLES OVERCOMING ALL OBSTACLES



SPECIFICATIONS

PERFORMANCE DATA

Wheel drive	12x12/10
Max. speed, km/h	48
Turning radius, m	18
Fuel tank capacity, l	1400
Gradeability, deg	20

WEIGHT DATA

Curb vehicle weight, kg	34 800
Payload, kg	55 200
Gross vehicle weight, kg	90 000
Permissible weight on axles, kg	6x15 000

ENGINE

Type	YaMZ-8401.10-24
Number and placement of cylinder	V12
Power	478 kW (650 h.p.) at 2100 min ⁻¹
Max. torque	2240 Nm

TRANSMISSION

Type	automatic
	MZKT 74191-1700045
Number of gears	4 forward, 2 reverse

POWER TAKE-OFF

From flange of power take-off case at automatic transmission

TRANSFER CASE

Number of gears	1
-----------------	---

BRAKE SYSTEM

Pneumohydraulic
Dual-circuit

TYRES

Off-road protector
Central tyre inflation system
1600x600-685

FRAME

Longitudinal
Z-cut enforced longerons
Equipped with front and rear towing units
Reinforced steel bumper

CAB

Full-metal, increased comfort
2-door, 2-seat

OPTIONS

Liquid engine heater
Heated fuel filter Separ
Fuel intake heating
Autonomic cab heater
Air conditioner
Head lamp protection