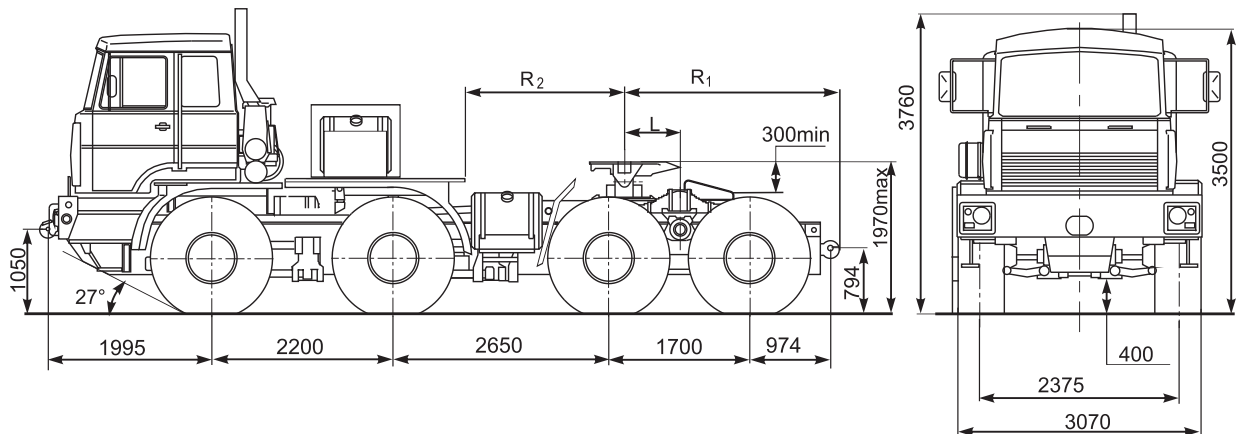


VOLAT



TRUCK TRACTOR
MZKT-742900

VEHICLES OVERCOMING ALL OBSTACLES



SPECIFICATIONS

PERFORMANCE DATA

Wheel drive	8x8
Max. speed, km/h	70
Turning radius, m	15
Fuel tank capacity, l	3x385
Gradeability at gross weight of combination, %	36

WEIGHT DATA

Curb vehicle weight, kg	20 900
Fifth wheel load, kg	23 000
Gross vehicle weight, kg	44 050
Permissible weight on axle, kg	
front axles	19 050
rear axles	25 000

ENGINE

Type	YaMZ - 8424.10
Number and location of cylinders	V8
Power	346 kW (470h.p.) at 2100 min ⁻¹
Max. torque	1860 Nm

TRANSMISSION

Type	manual
Number of gears	9 forward, 1 reverse
Gear ratio	10.08-0.79

TRANSFER CASE

Number of gears	2
Gear ratio	1:1; 1:1.601

DRIVING AXLES

Split axles, central reduction gear with differentials, semiaxial double-joint drive shafts and planetary wheel hub reduction

BRAKE SYSTEM

Pneumohydraulic
Double circuit
Engine brake

TYRES

Off-road protector
Single tyres
Central tyre inflation system (CTIS)
1500x600-635
Number: 8+1

FRAME

Longitudinal
Welded, with crossbars
Equipped with towing units
Forced steel bumper

CAB

Full metal, increased comfort
Two-seats with 2 sleeping berths
Driver's seat on pneumatic suspension

FIFTH WHEEL

3-position
King pin diameter - 100 mm

OPTIONS

Liquid engine heater
Heated fuel filter
Autonomous cab heater
Air conditioner
Spotlight
Headlamp protection