

# VOLAT

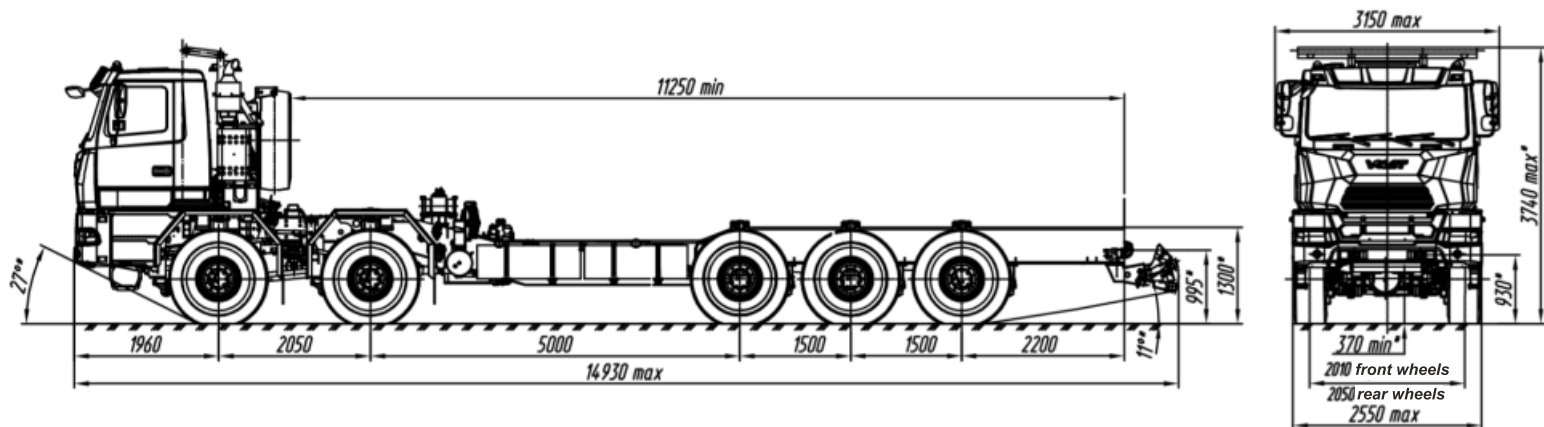


TRUCK CHASSIS  
MZKT-652760-231

VEHICLES OVERCOMING ALL OBSTACLES

# TRUCK CHASSIS MZKT-652760-231

# VOLAT



## SPECIFICATIONS

### PERFORMANCE DATA

Wheel drive	10x10
Max. speed, km/h	50
Turning radius, m	21
Fuel tank capacity, l	1 000

### WEIGHT DATA

Curb chassis weight, kg	21 600
Gross vehicle weight, kg	68 600
Permissible weight on axle, kg	
1st and 2nd	2x13 000
3rd, 4th and 5th	3x14 200
Payload, kg	47 000

### ENGINE

Model	YaMZ-7511.10
Number and location of cylinders	V8
Power	294 kW (400 h.p.) at 1 900 min <sup>-1</sup>
Max. torque	1 715 Nm
Engine heater	Eberspacher Hydronic L30-24B

### TRANSMISSION

Type	manual
Model	MZKT-65151
Number of gears	9 forward, 1 reverse
Gear ratio	10.08-0.788

### TRANSFER CASE

2-speed, with interlocking differential

### DRIVING AXLES

Rigid, with central reduction gears, with inter-axle and cross-axle differentials with positive locking  
1st and 2nd axles - steered

### AXLE SUSPENSION

1st and 2nd axles - dependent air-hydraulic  
3rd, 4th and 5th axles - dependent hydro-balanced

### BRAKE SYSTEM

Drum brakes of shoe type with pneumatic drive  
Dual-circuit system

### TYRES

16.00R20, cross-country  
Central tyre inflation system (CTIS)  
Number of wheels - 10+1

### FRAME

Longitudinal, special construction  
Equipped with front towing system

### CAB

Full metal, 2-door, 2-seat  
Equipped with ventilation and heating systems  
Pneumatic suspended seats, seat belts

### ELECTRICAL EQUIPMENT

Nominal voltage 24 V  
Single-wire  
Batteries 2x180 Ah

### OPTIONS

Heated fuel filter  
Fuel intake heater  
Autonomous cab heater  
Air-conditioner

### APPLICATION

For mounting of coiled-tubing equipment