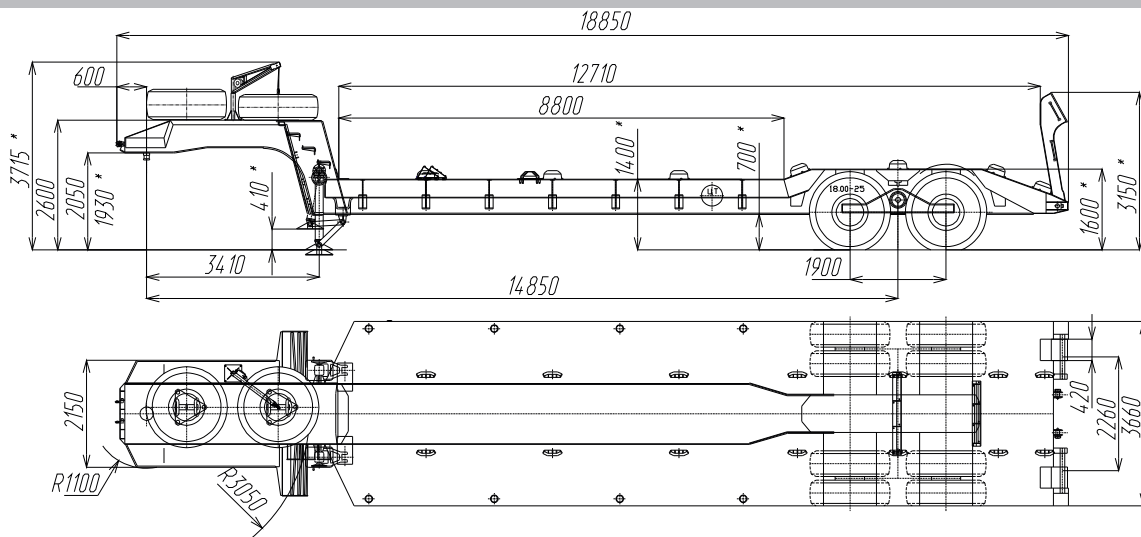


SEMITRAILER  
MZKT-99867

for transportation of track equipment and heavy oversize loads

**VOLAT**



\*Dimensions under load

**SPECIFICATIONS**

Payload, kg	70 000
Curb weight, kg	30 000
Permissible weight on axles, kg	2x35 000
Fifth wheel load, kg	30 000
Loading platform length, mm	8 800
Platform width, mm	3660
Loading height, mm	1400
Max. speed, km/h	80
Dovetail/angle of approach, grad.	mechanical/11
Tyres/busbar/quantity	18.00 R25/gable/8+2
Suspension/number of axles	wishbone/2
King pin, inch	3,5
Brake system	pneumatical

VEHICLES OVERCOMING ALL OBSTACLES

MINSK WHEEL TRACTOR PLANT  
150, Partizanski Ave., 220021, Belarus, Minsk

[www.mzkt.by](http://www.mzkt.by)