

VOLAT

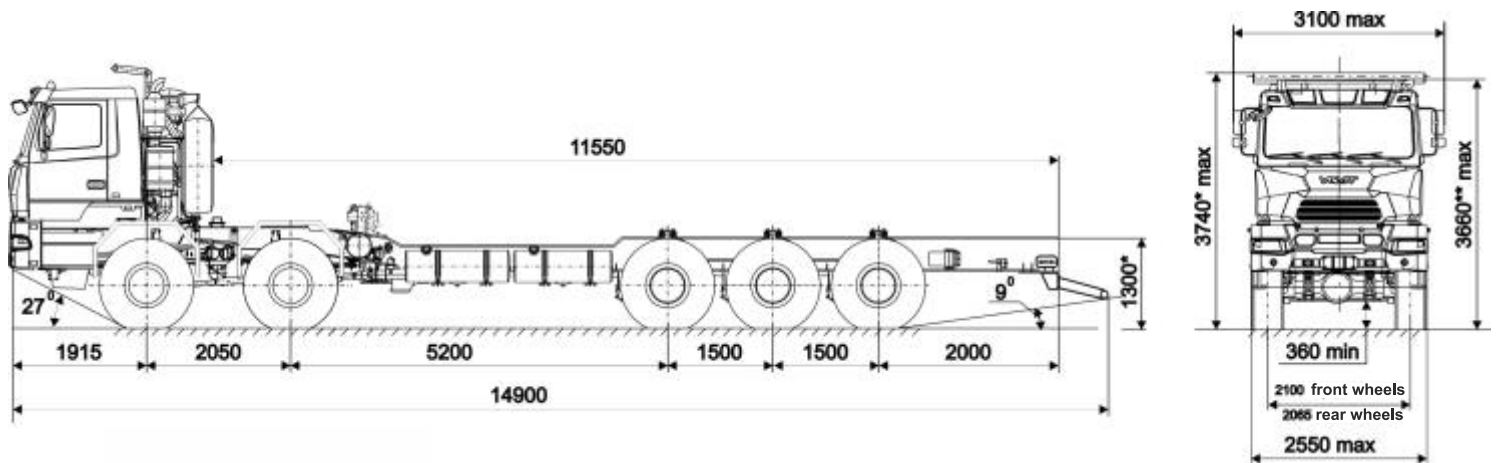


TRUCK CHASSIS
MZKT-652760-230

VEHICLES OVERCOMING ALL OBSTACLES

TRUCK CHASSIS MZKT-652760-230

VOLAT



SPECIFICATIONS

PERFORMANCE DATA

Wheel drive	10x10
Max. speed, km/h	50
Turning radius, m	19,5
Fuel tank capacity, l	1 000

WEIGHT DATA

Curb chassis weight, kg	22 000
Gross vehicle weight, kg	65 000
Permissible weight on axle, kg	
1st and 2nd	2x13 000
3rd, 4th and 5th	3x13 000
Payload, kg	43 000

ENGINE

Model	YaMZ-7511.10
Number and location of cylinders	V8
Power	294 kW (400 h.p.) at 1 900 min ⁻¹
Max. torque	1 715 Nm
Engine heater	Eberspacher Hydronic L30-24B

TRANSMISSION

Type	manual
Model	MZKT-65151
Number of gears	9 forward, 1 reverse
Gear ratio	10.08-0.788

TRANSFER CASE

2-speed, with interlocking differential

DRIVING AXLES

Rigid, with central reduction gears, with inter-axle and cross-axle differentials with positive locking
1st and 2nd axles - steered

AXLE SUSPENSION

1st and 2nd axles - dependent air-hydraulic
3rd, 4th and 5th axles - dependent hydro-balanced

BRAKE SYSTEM

Drum brakes of shoe type with pneumatic drive
Dual-circuit system

TYRES

16.00R20, cross-country
Central tyre inflation system (CTIS)
Number of wheels - 10+1

FRAME

Longitudinal, special construction
Equipped with front towing system

CAB

Full metal, 2-door, 2-seat
Equipped with ventilation and heating systems
Pneumatic suspended seats, seat belts

ELECTRICAL EQUIPMENT

Nominal voltage 24 V
Single-wire
Batteries 2x180 Ah

OPTIONS

Heated fuel filter
Fuel intake heater
Autonomous cab heater
Air-conditioner

APPLICATION

For mounting of coiled-tubing equipment with reel capacity for tube length up to 7 000 m