

VOLAT

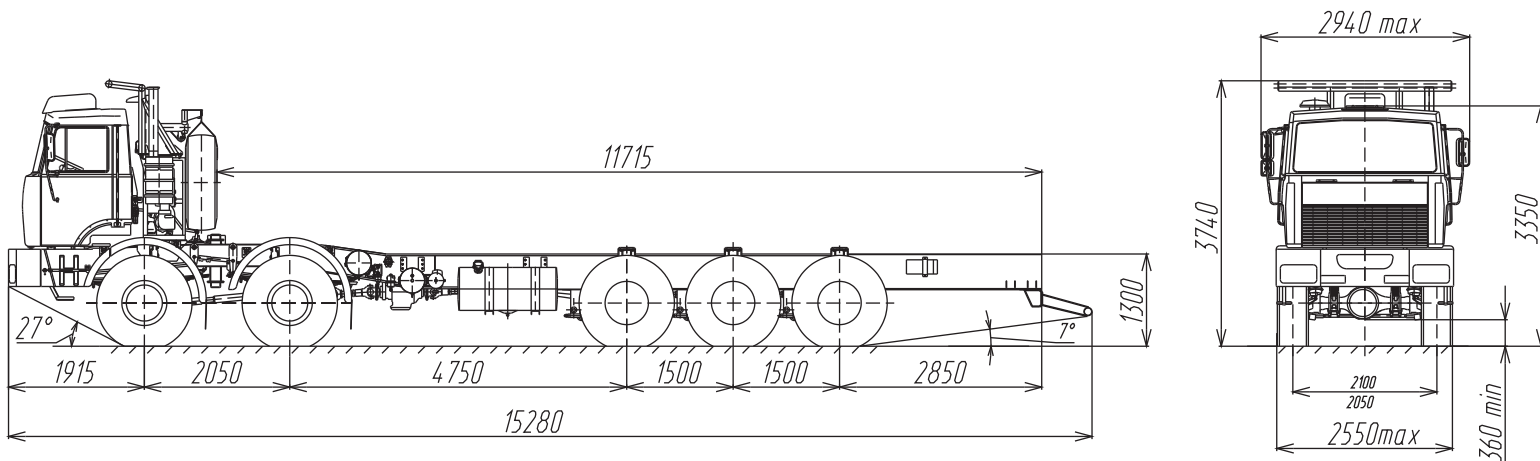


TRUCK CHASSIS
MZKT-652760-020

VEHICLES OVERCOMING ALL OBSTACLES

TRUCK CHASSIS MZKT-652760-020

VOLAT



SPECIFICATIONS

PERFORMANCE DATA

Wheel drive	10x10
Max. speed, km/h	60
Angle of approach	27°
Angle of departure	7°
Ground clearance, mm	360
Turning radius, m	18
Fuel tank capacity, l	1000

WEIGHT DATA

Curb chassis weight, kg	19 000
Payload, kg	40 000
Gross vehicle weight, kg	59 000
Permissible weight on axle, kg	
front axles	2x10 000
rear axles	3x13 000

ENGINE

Model	YaMZ-7511
Number and location of cylinders	V8
Power	294 kW (400 h.p.) at 1 900 min ⁻¹
Max. torque	1 715 Nm
Engine heater	Webasto DBW 268.07

TRANSMISSION

Type	manual
	MZKT-65151
Number of gears	9 forward, 1 reverse
Gear ratio	10.08-0.788
Clutch	single disc

TRANSFER CASE

Number of gears	1
Power takeoff	3 000 Nm

DRIVING AXLES

Unsplit, with central reduction gears, with inter-axle and cross-axle differentials with positive locking

AXLE SUSPENSION

Dependent, leaf-spring at front axles
Dependent, hydro-balanced at rear axles

STEERING SYSTEM

Left hand drive, hydraulic power assisted
Two front axles steered

BRAKE SYSTEM

Drum brakes of shoe type
Pneumatic drive, dual-circuit system

TYRES

Michelin 16.00R20
Central tyre inflation system (CTIS)

FRAME

Longitudinal
Equipped with front towing system

CAB

Full metal, 2-door, 2-seat
Equipped with ventilation and heating systems
Pneumatic suspended seats, seat belts

ELECTRICAL EQUIPMENT

Nominal voltage 24 V, single-wire
Batteries 2x190 Ah

OPTIONS

Heated fuel filter
Fuel intake heater
Autonomous cab heater
Air-conditioner

APPLICATION

For mounting of coiled-tubing equipment with reel capacity for tube length up to 5 200 m