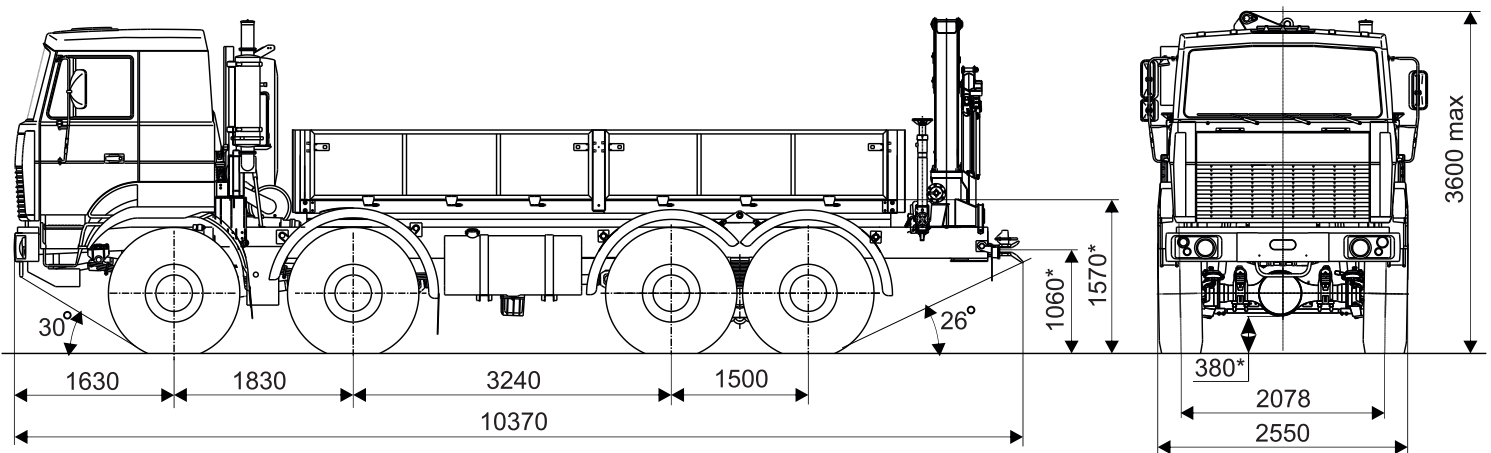


# VOLAT



SPECIAL VEHICLE  
MZKT-730100

VEHICLES OVERCOMING ALL OBSTACLES



**SPECIFICATIONS**

**PERFORMANCE DATA**

Wheel drive	8x8
Max. speed, km/h	85
Turning radius, m	14
Fuel tank capacity, l	350

**WEIGHT DATA**

Curb vehicle weight, kg	17 100
Gross vehicle weight, kg	42 000
Permissible weight on axle, kg	
front axles	2x8 500
rear axles	2x12 500
Weight of mounted equipment, kg	24 000

**ENGINE**

Type	YaMZ-7511.10, EURO-II
Number and location of cylinders	
Power	V8
Max. torque	294 kW (400 h.p.) at 1900 min <sup>-1</sup> 1 715 Nm at 1100 - 1300 min <sup>-1</sup>

**CLUTCH**

Double-disk

**TRANSMISSION**

Type	manual
Number of gears	9 forward, 1 reverse
Gear ratio	10.08-0.795; R9.55

**BRAKE SYSTEM**

Pneumatic  
Double circuit  
Engine brake

**TYRES**

Off-road protector	
Pent busbar	
16.00R20	
Number	8+1

**PAMA**

Longitudinal with crossbars  
Equipped with front towing system and rear trailer coupling

**CAB**

Full metal  
4-seats  
Conditioner

**OPTIONS**

Liquid engine heater  
Heated fuel filter  
ABS  
Fuel filter sump Separ  
Spark arrester  
Air suspension seat  
2 sleeping berths  
Spotlights on cab  
Tachograph