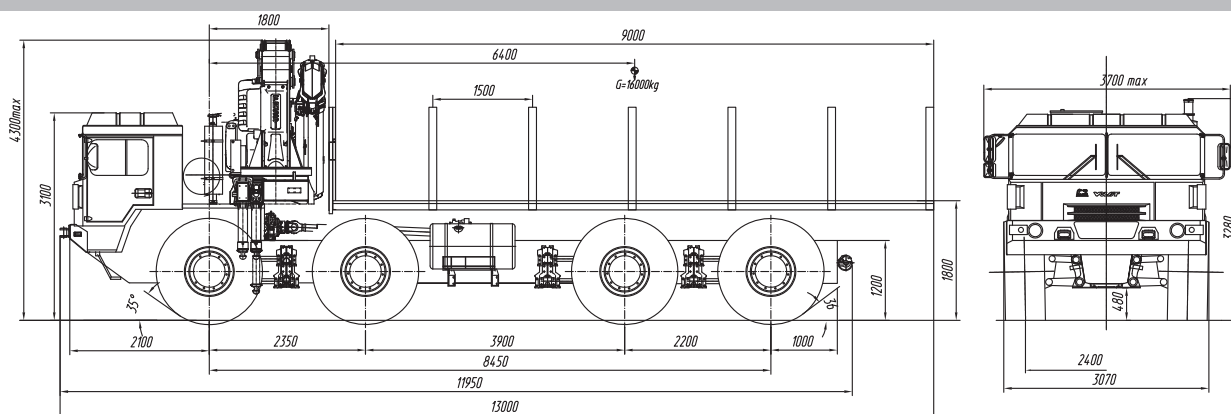


# VOLAT



SPECIAL VEHICLE  
MZKT-791300

VEHICLES OVERCOMING ALL OBSTACLES



## SPECIFICATIONS

### PERFORMANCE DATA

Wheel drive	8x8
Max. speed, km/h	70
Turning radius, m	16,5
Fuel tank capacity, l	1155
Gradeability, %	60

### WEIGHT DATA

Curb vehicle weight, kg	25 300
Fifth wheel load, kg	28 000
Gross vehicle weight, kg	45 500
Permissible weight on axle, kg	
front axles	2x16 600
rear axles	2x8 700

### ENGINE

Type	Deutz BF 8M1015C
Number and location of cylinders	V8
Power	400 kW (544 h.p.) at 2100 min <sup>-1</sup>
Max. torque	2300 Nm

### TRANSMISSION

Type	manual, ZF 16S2720T0
Number of gears	16 forward, 1 reverse
Gear ratio	13.8-0.84; R - 12,92

### TRANSFER CASE

Number of gears	2
Gear ratio	1:1; 1:1.6

### LEADING AXLES

Split axles with interaxle differentials of excessive friction,  
With interaxle differentials lock

### BRAKE SYSTEM

Pneumohydraulic  
Double circuit  
Engine brake

### TYRES

Off-road protector  
Pent busbar  
Central tyre inflation system (CTIS)  
23,5-25  
Number: 8+1

### FRAME

Longitudinal  
Welded, with crossbars  
Equipped with front and rear towing system  
Forced steel bumper

### CAB

Frame metal, increased comfort  
Number of seats 2

### WINCH

Self-recovery winch  
Max. torque, kN 200

### OPTIONS

Liquid engine heater  
Heated fuel filter  
Autonomous cab heater  
Conditioner  
The driver's seat on pneumatic suspension  
Hard lift  
Crane arm  
Platform with racks and mechanisms linking pipes