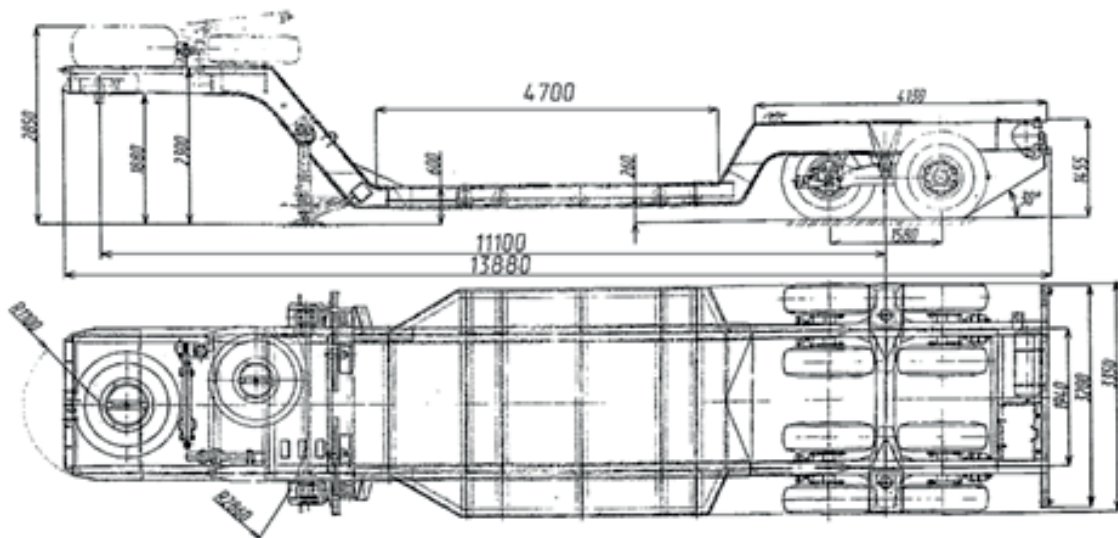


SEMITRAILER
 MZKT-5247D-010
 for transportation of large-size indivisible loads

VOLAT



SPECIFICATIONS

Payload, kg	50 000
Curb weight, kg	15 800
Permissible weight on axles, kg	2x21 400
Fifth wheel load, kg	23 000
Loading platform length, mm	4 700
Platform width, mm	3350
Loading height, mm	1455
Max. speed, km/h	50
Tyres/busbar/quantity	15.00 R20 /pent/8+1
Suspension/number of axles	centerpoint/2
King pin, inch	3,5
Brake system	pneumtical

VEHICLES OVERCOMING ALL OBSTACLES

MINSK WHEEL TRACTOR PLANT
 150, Partizanski Ave., 220021, Belarus, Minsk

www.mzkt.by