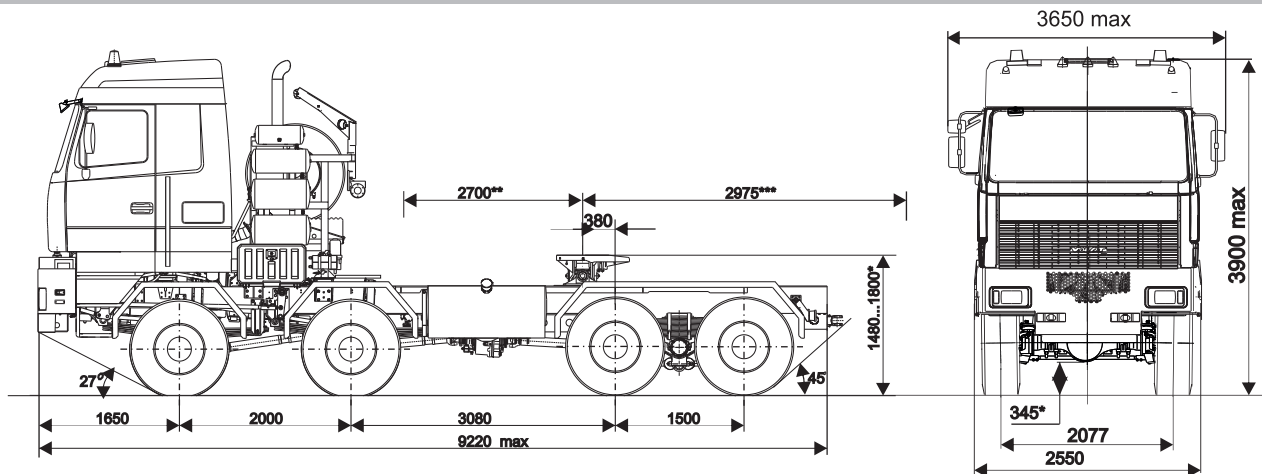


# VOLAT



TRUCK TRACTOR  
MZKT - 741600-011

VEHICLES OVERCOMING ALL OBSTACLES



## SPECIFICATIONS

### PERFORMANCE DATA

Wheel drive	8x8
Max. speed, km/h	90
Turning radius, m	12,5
Fuel tank capacity, l	1000
Gradeability, %	30

### WEIGHT DATA

Curb vehicle weight, kg	16 600
Fifth wheel load, kg	27 000
Gross vehicle weight, kg	43 750
Permissible weight on axle, kg	
front axles	8450, 9300
rear axles	2x13 000
Max. allowable weight of combination, kg	90 000

### ENGINE

Type	Cummins QSX15 600, EURO-4
Number and location of cylinders	P6
Power	447 kW (600 h.p.) at 2100 min <sup>-1</sup>
Max. torque	2400 Nm at 1300 - 1600 min <sup>-1</sup>

### TRANSMISSION

Type	automatic
Number of gears	6 forward, 1 reverse
Gear ratio	4.4-0.65; R4.95

### TRANSFER CASE

Number of gears	2
Gear ratio	1:0.99; 1:1.57

### BRAKE SYSTEM

Pneumatic  
Double circuit with ABS  
Engine brake  
Hydrodynamic retarder Voith VR115H

### TYRES

Off-road protector	
Double tyres	
Front axles	385/65 R22,5
Number:	4
Rear axles	315/80 R22,5
Number:	8+1

### FRAME

Longitudinal  
Longeron form – channeled with forced crossbars  
Equipped with front and rear towing units  
Forced steel bumper

### CAB

Full metal, increased comfort  
Two-seats with 2 sleeping berths  
Driver's seat on pneumatic suspension

### FIFTH WHEEL

SAE 3<sup>1</sup>/<sub>2</sub>" inch (Ø 89 mm)

### OPTIONS

Automatic central lubricant system  
Liquid engine heater  
Heated fuel filter sump Separ  
Fuel intake heater  
Autonomous cab heater  
Air conditioner  
Headlamp protection