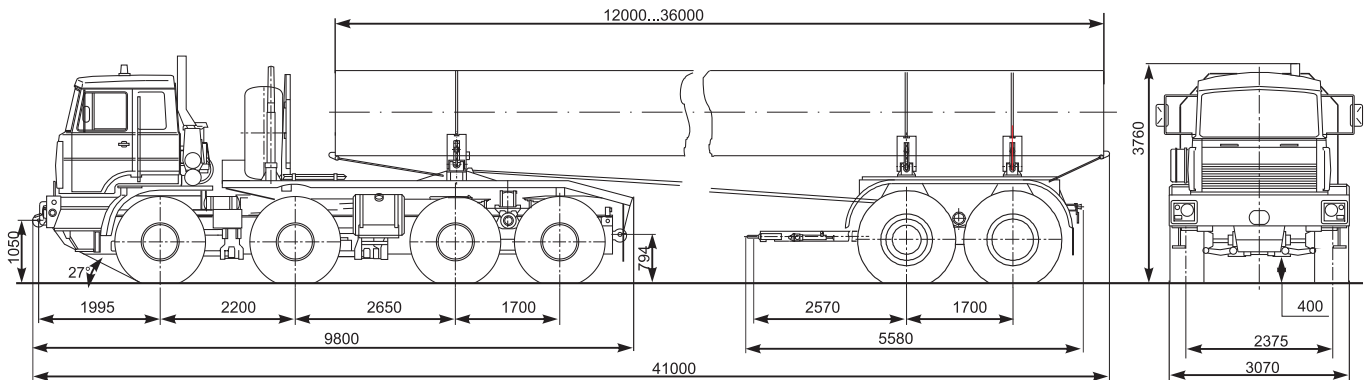


# VOLAT



VEHICLE FOR TRANSPORTATION OF PIPES  
MZKT-79096

V E H I C L E S   O V E R C O M I N G   A L L   O B S T A C L E S



## SPECIFICATIONS

### PERFORMANCE DATA

Wheel drive	8x8
Max. speed, km/h	70
Turning radius, m	16
Fuel tank capacity, l	2x385
Gradeability, %	36

### TYRES

Off-road protector	
Pent busbar	
Central tyre inflation system	
1500x600-635	
Quantity	8+1

### WEIGHT DATA

Curb vehicle weight, kg	22 950
Gross vehicle weight, kg	44100
Permissible weight on axles, kg	
front axles	2x9 550
rear axles	2x12 500
Gross weight of towed trailer, kg	35 900

### FRAME

Longitudinal
Equipped with front and rear towing systems
Enforced steel bumper

### ENGINE

YaMZ-8424.10-03, diesel, V8,  
max. power - 346 kW (470 h.p.), max. torque - 1860 Nm

### CAB

Full-metal
2-seat. 2 berth
Pneumatic driver seat

### TRANSMISSION

Type	manual
Number of gears	9 forward, 1 reverse
Gear ratio	1.08-0.79

### OPTIONS

Automatic central lubrication system
Liquid engine heater
Heated fuel filter
Autonomic cab heater
Air conditioner
Head lamp protection
Spot lamp

### TRANSFER CASE

Number of gears	2
Gear ratio	1:1; 1:1.601

### BRAKE SYSTEM

Dual-circuit pneumatic system
ABS
Engine brake