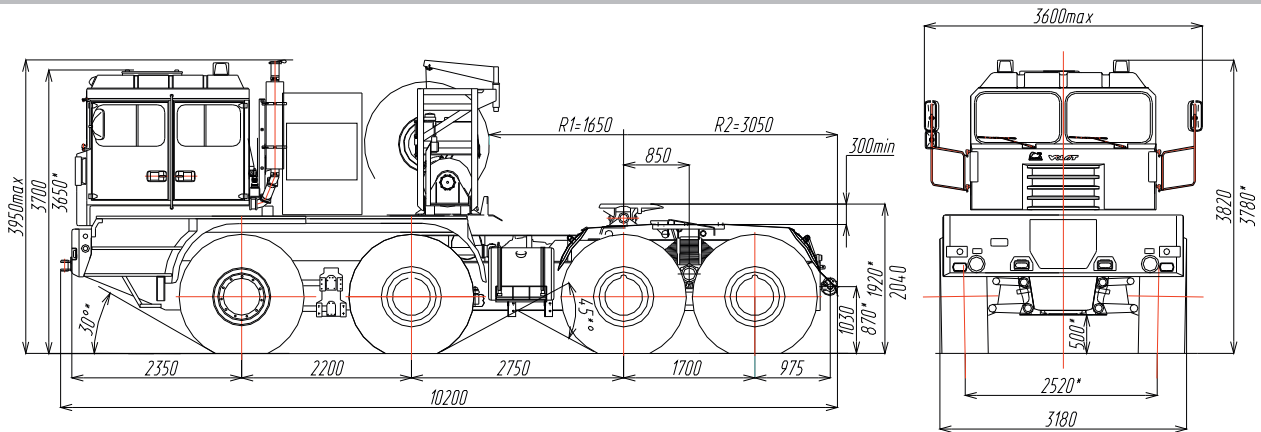


VOLAT



TRUCK TRACTOR
MZKT-742910

VEHICLES OVERCOMING ALL OBSTACLES



SPECIFICATIONS

PERFORMANCE DATA

Wheel drive	8x8
Max. speed, km/h	70
Turning radius, m	15
Fuel tank capacity, l	770
Gradeability at gross weight of combination, %	30

WEIGHT DATA

Curb vehicle weight, kg	25 300
Fifth wheel load, kg	28 000
Gross vehicle weight, kg	54 000
Permissible weight on axle, kg	
front axles	2x11 500
rear axles	2x15 500

ENGINE

Type	TMZ-85431.10
Number and location of cylinders	V8
Power	441 kW (600 h.p.) at 2100 min ⁻¹
Max. torque	2577 Nm at 1300 - 1400 min ⁻¹

TRANSMISSION

Type	automatic
Number of gears	6 forward, 1 reverse
Gear ratio	4.4-0.65

TRANSFER CASE

Number of gears	2
Gear ratio	1:1; 1:1.88

DRIVING AXLES

1-ST AND 2-ND
With interaxle differentials lock

3-RD AND 4-TH

With interwheel differentials self-lock and interaxle differentials lock

BRAKE SYSTEM

Pneumohydraulic
Double circuit
Engine brake

TYRES

Off-road protector
Single tyres
Central tyre inflation system (CTIS)
23,5-25
Number: 8+1

FRAME

Longitudinal
Welded, with crossbars
Equipped with front and rear towing units
Forced steel bumper

CAB

Frame metal, increased comfort
Number of seats 7 or 3+2 sleeping berths

FIFTH WHEEL

SAE 3¹/₂" inch (Ø 89 mm)

WINCH

Hydraulic twin winch
Max. torque, kN 2x250

OPTIONS

Liquid engine heater
Heated fuel filter
Autonomous cab heater
Air conditioner
Spotlight
Headlamp protection